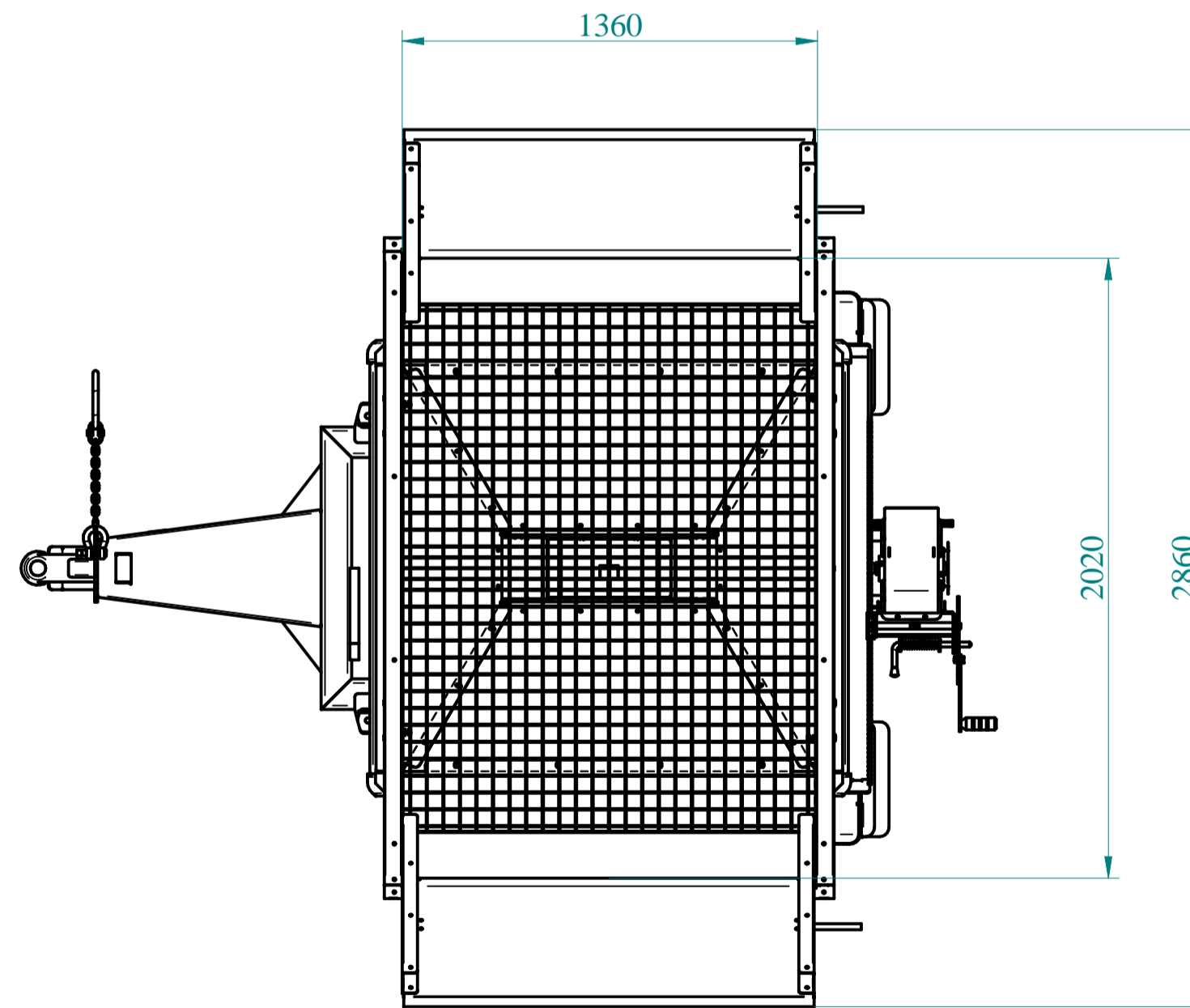
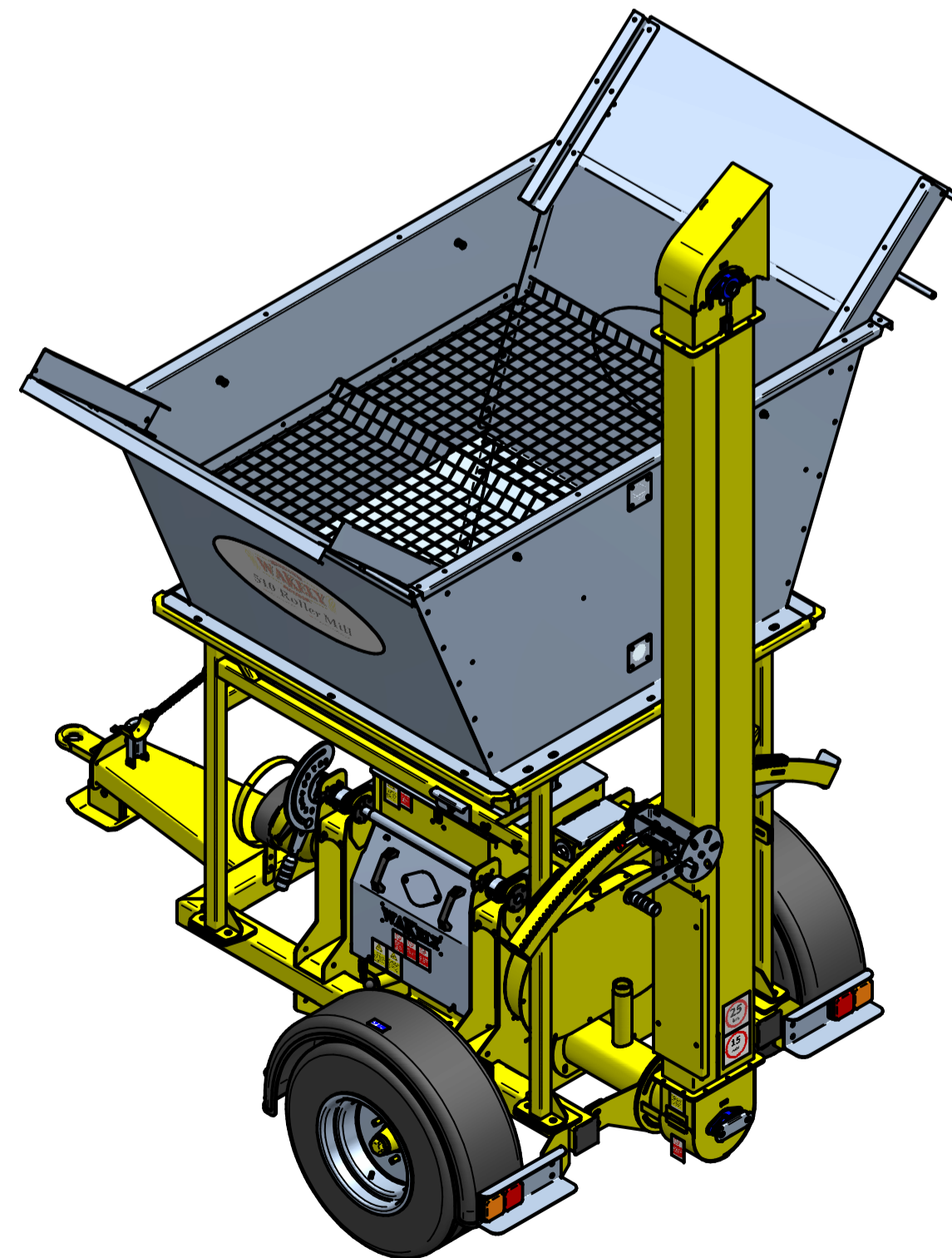
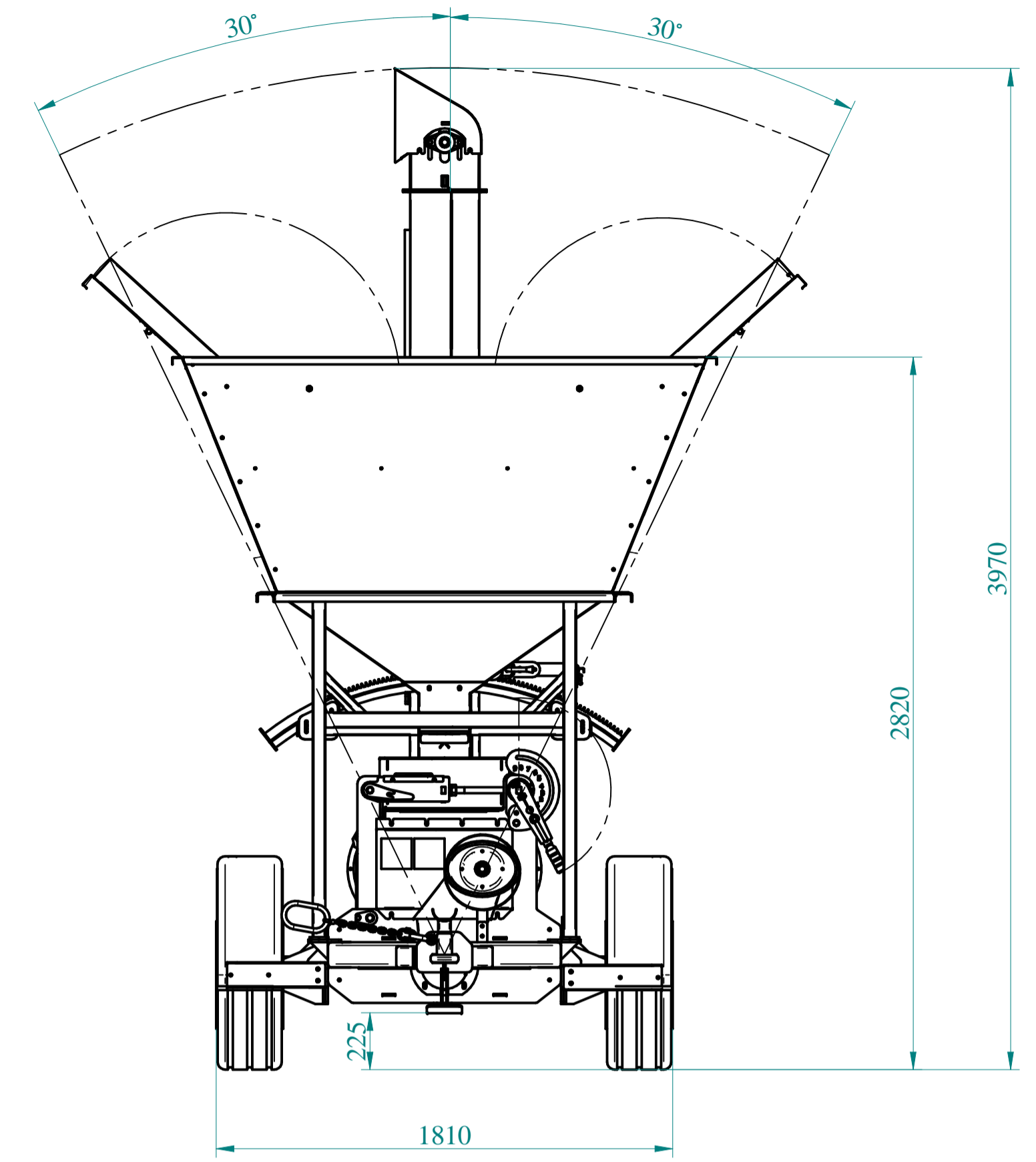
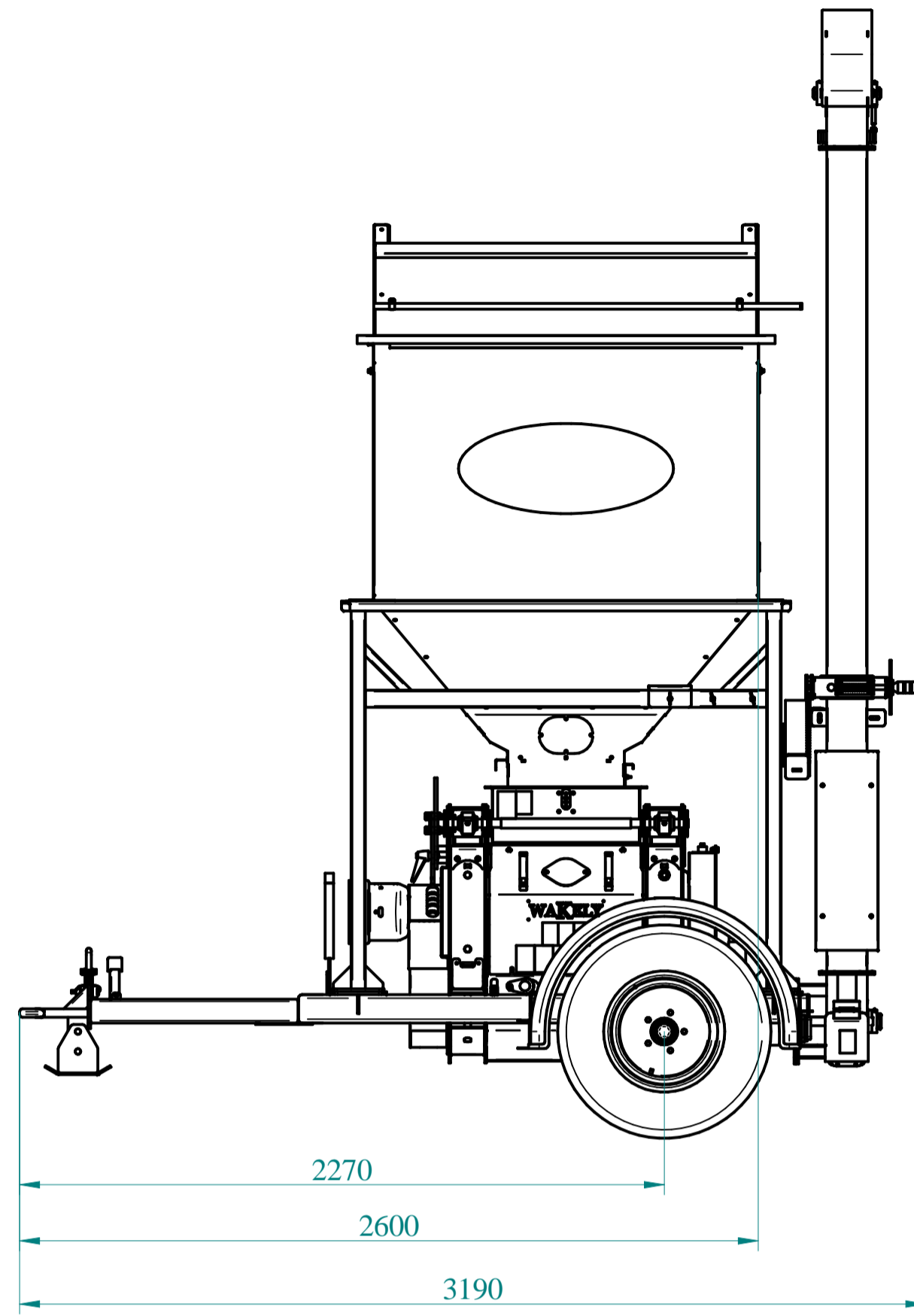
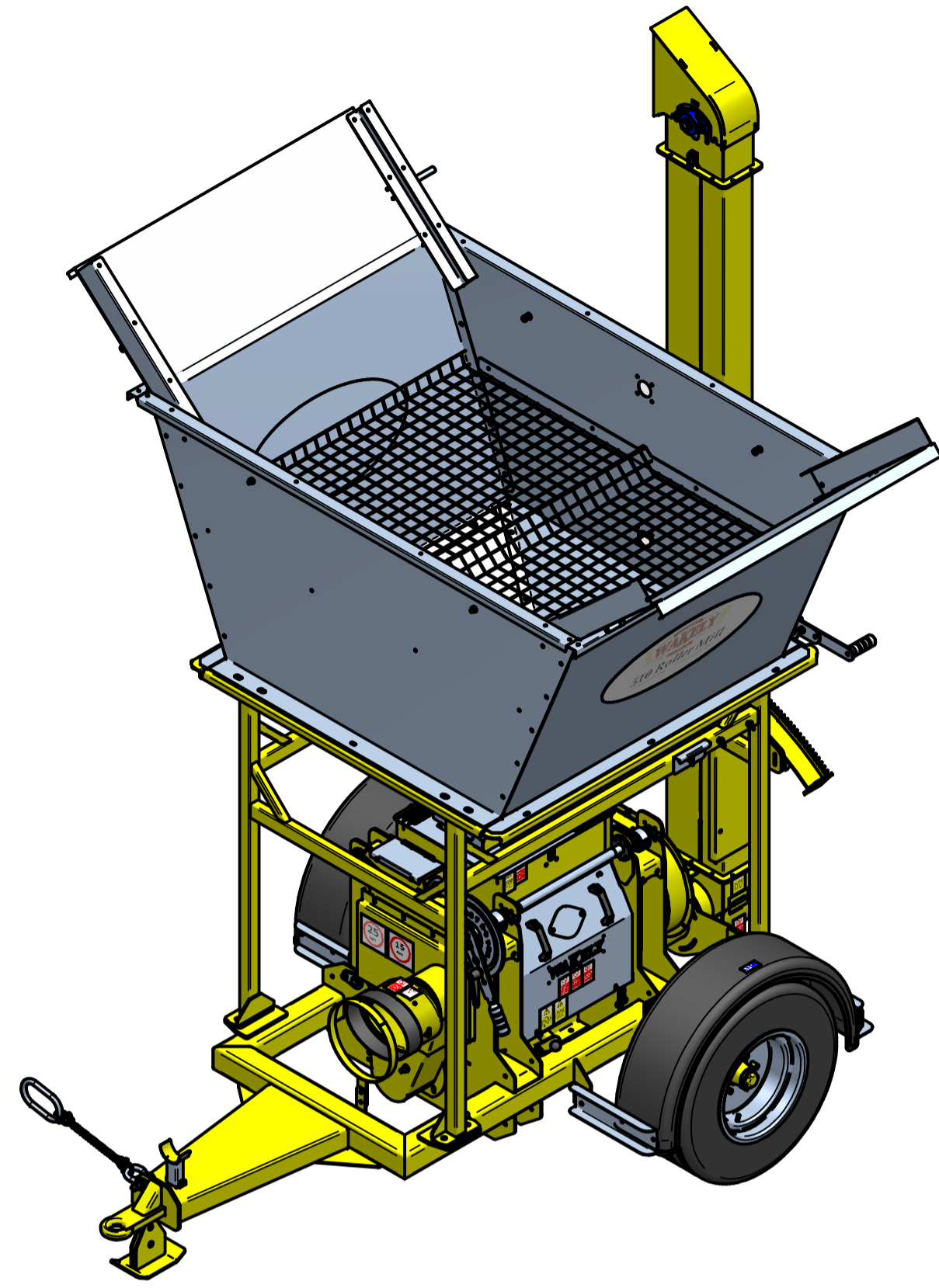



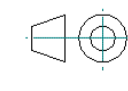
REVISION HISTORY			
REV	DESCRIPTION	DATE	APPROVED





**WAKELY**  
ENGINEERING  
COMPANY

**Wakely Engineering LTD**  
Louth Tel. 00353 - (0)42 - 9374388  
Co. Louth Fax. 00353 - (0)42 - 9374669  
Ireland e-mail: wakely@eircom.net  
This drawing is property of Wakely Engineering Ltd.  
It must not be used for any reason whatsoever either in part or in full  
without the written permission of Wakely Engineering Ltd.

	NAME	TITLE	
DRAWN	S.Kuczewski	510 MOBILE ASSEMBLY	
CHECKED	PHELIM WAKELY	Machine	Material
CREATED ON	31/05/2012	0510	
DATE		SIZE	Part Name
		A1	0510-00-03-0001-00-F.asm
PROJECTION METHOD		SCALE:	
 GENERAL TOLERANCES ISO 2768mK METRIC SYSTEM		WEIGHT: 1487.484 kg	

SHEET 1 OF 1