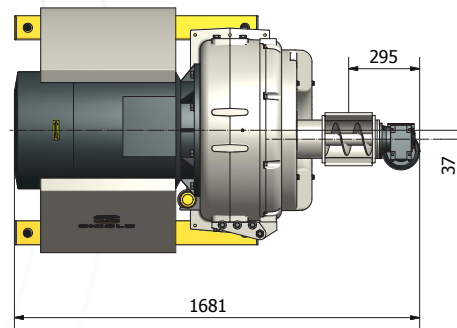
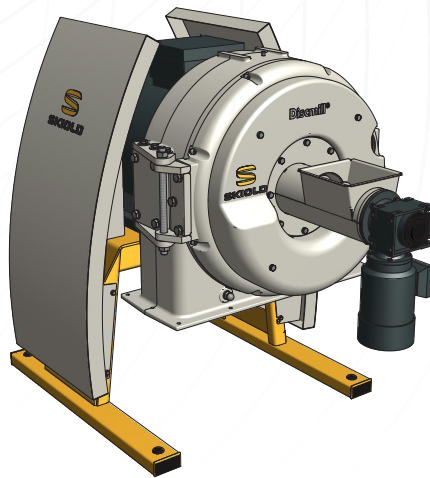
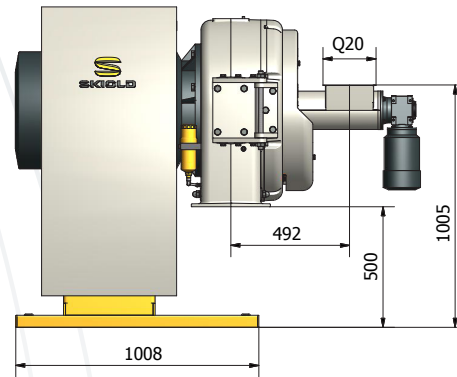
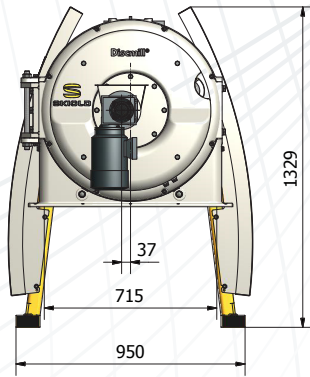




SKIOLD DISC MILL SK10000



TECHNICAL SPECIFICATIONS - SK10000

| | |
|---------------------------------|---------------------|
| Main motor | 55 - 75 kW 2800 o/m |
| Disc diameter (external) | 550 mm |
| Distance regulation | Automatic |
| Noise level | Approx. 80 dB |
| Shipping weight | 1350 - 1500 kg |
| Feeding auger | 0,75 kW 2800 rpm |

CAPACITY

| | 55kW | 75kW |
|---------------|------------|------------|
| Cereal | | |
| Barley | 3000-10000 | 4000-13000 |
| Wheat | 3000-12000 | 4000-15000 |
| Maize | 3000-12000 | 4000-15000 |
| Oats | 2500-9000 | 3000-12000 |
| Peas | 2500-9000 | 3000-12000 |

In storage dry and well cleaned crops, max. kg/h.
The capacity depends on the grinding fineness

SKIOLD SK10 DISC MILLS may be used for grinding of ordinary cleaned small-grained seed crops in storage dry condition and with a maximum diameter of 10 mm. Wheat, barley etc. can furthermore be ground from air tight silo with up to 25% moisture content. However, please note that the capacity is reduced by approx. 5% for each percentage of moisture content higher than 15% - for example 18% moisture content reduces the capacity by $(18-15) \times 5 = 15\%$.

The disc mill is also suitable for granulation of clean pelleted feed products, and wood pellets, with a pellet diameter of up to Ø 16 mm.



SKIOLD

MEMBER OF THE SKIOLD GROUP **S**