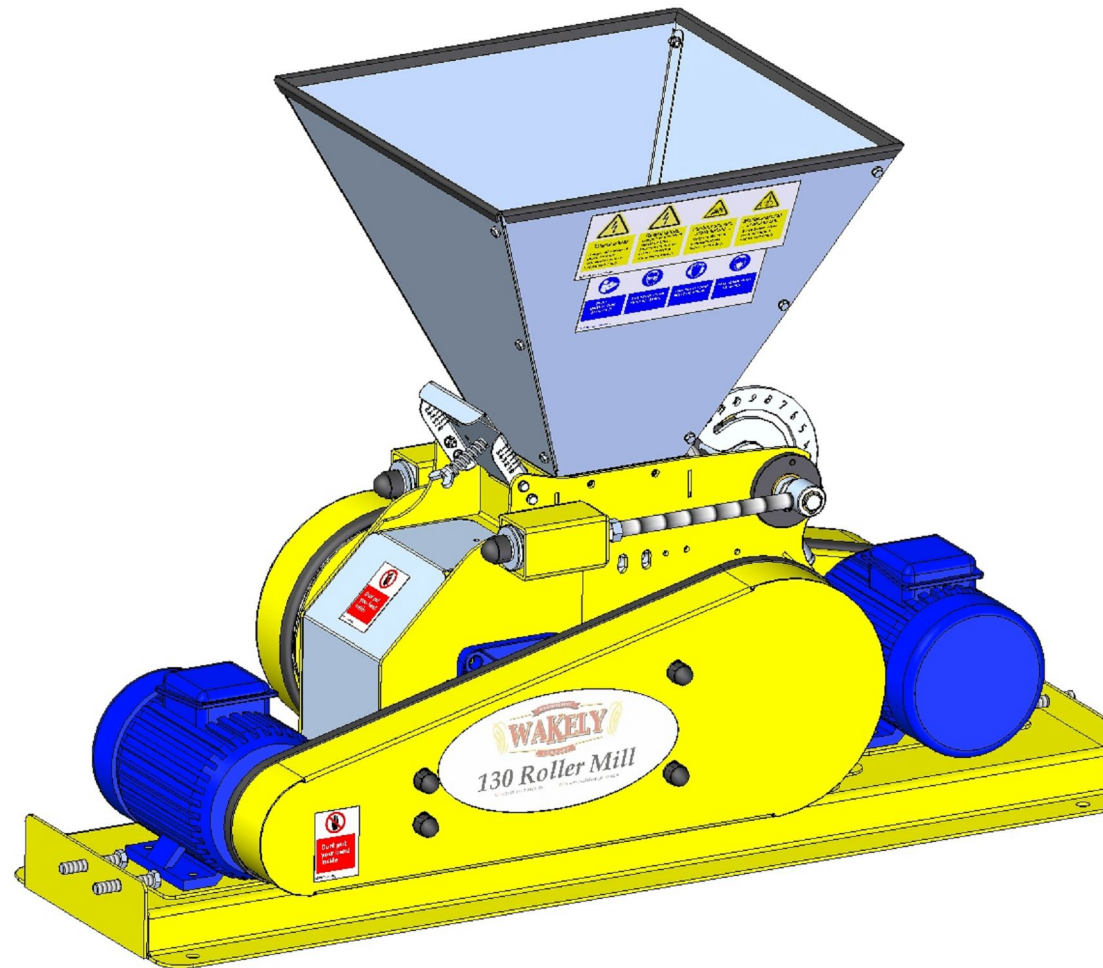
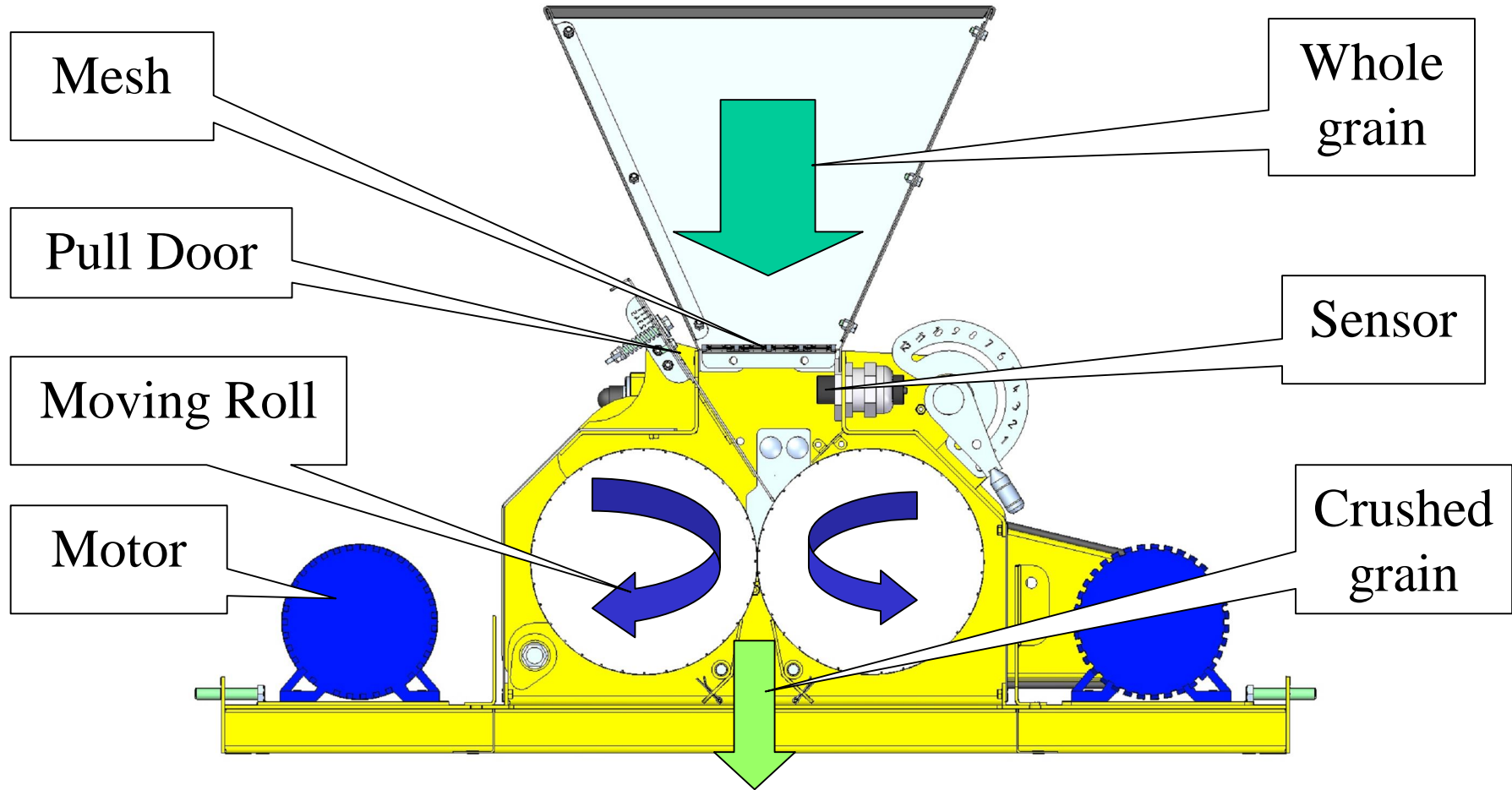




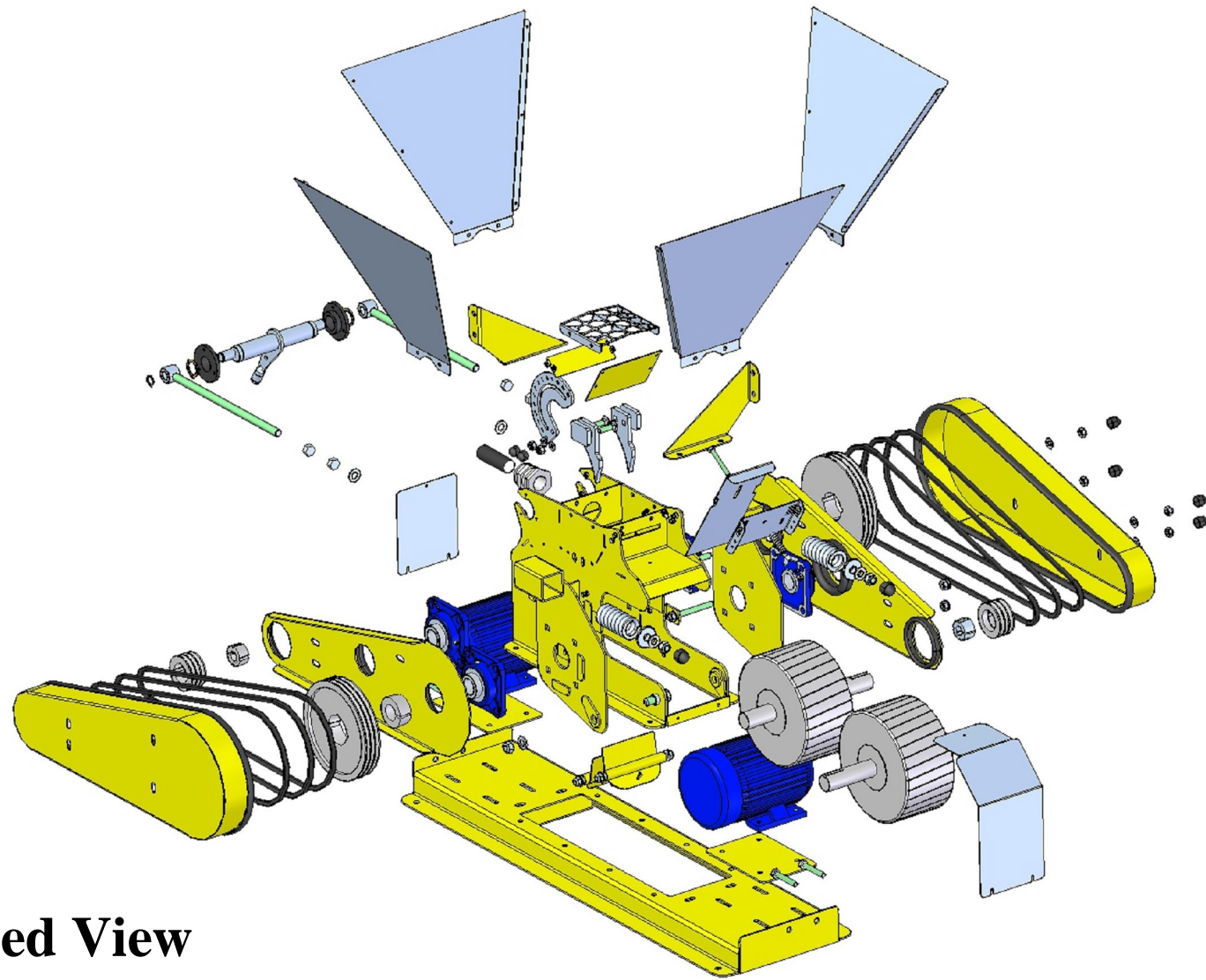
Presented by: Phelim Wakely

New 130 Wakely Electric Mill

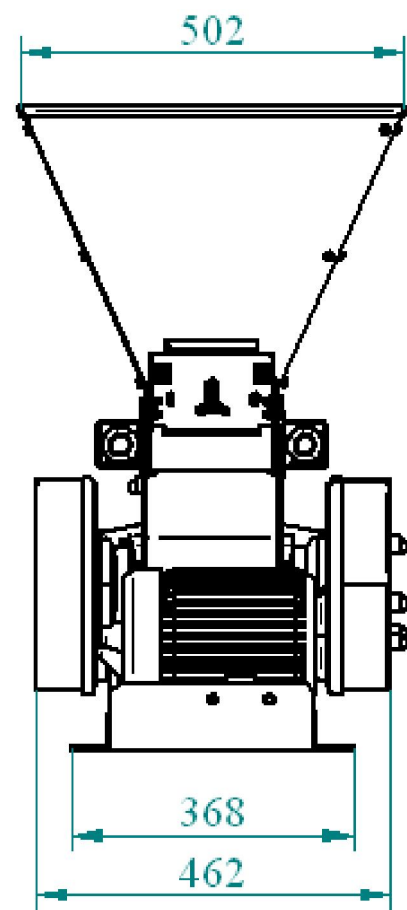
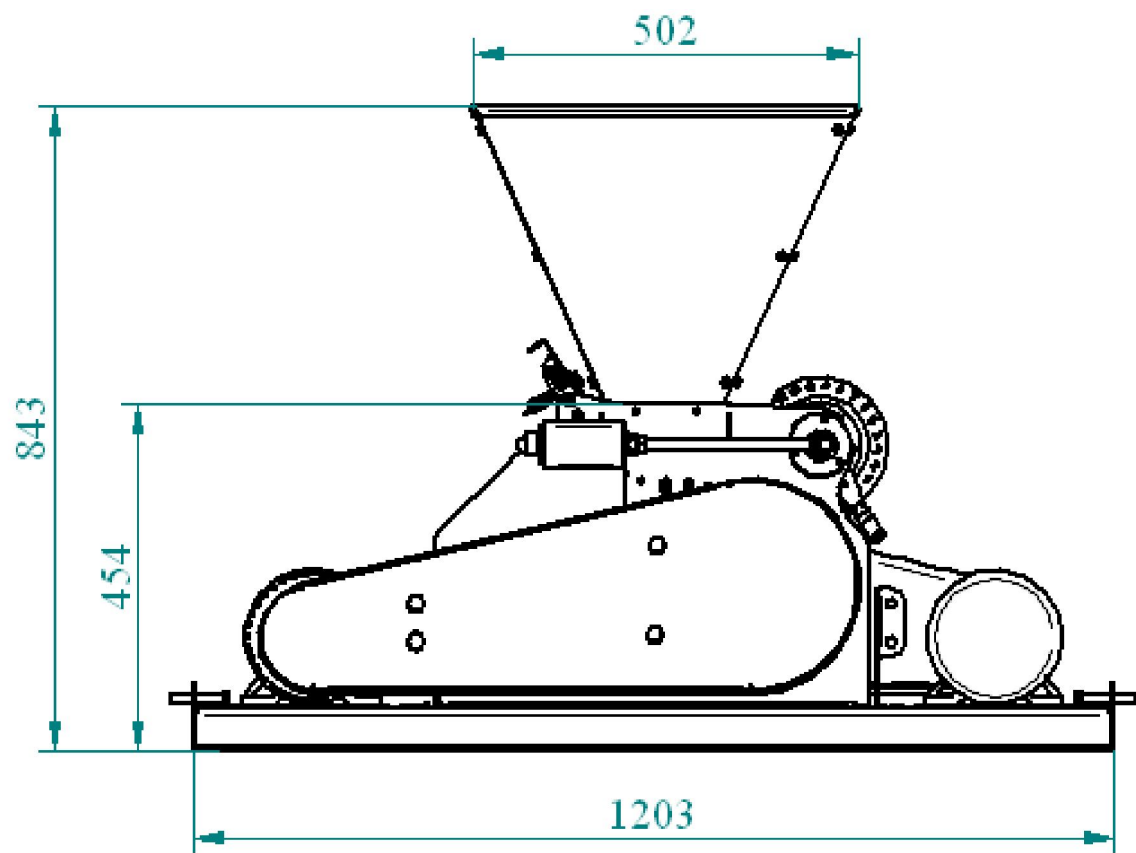




•Easy process



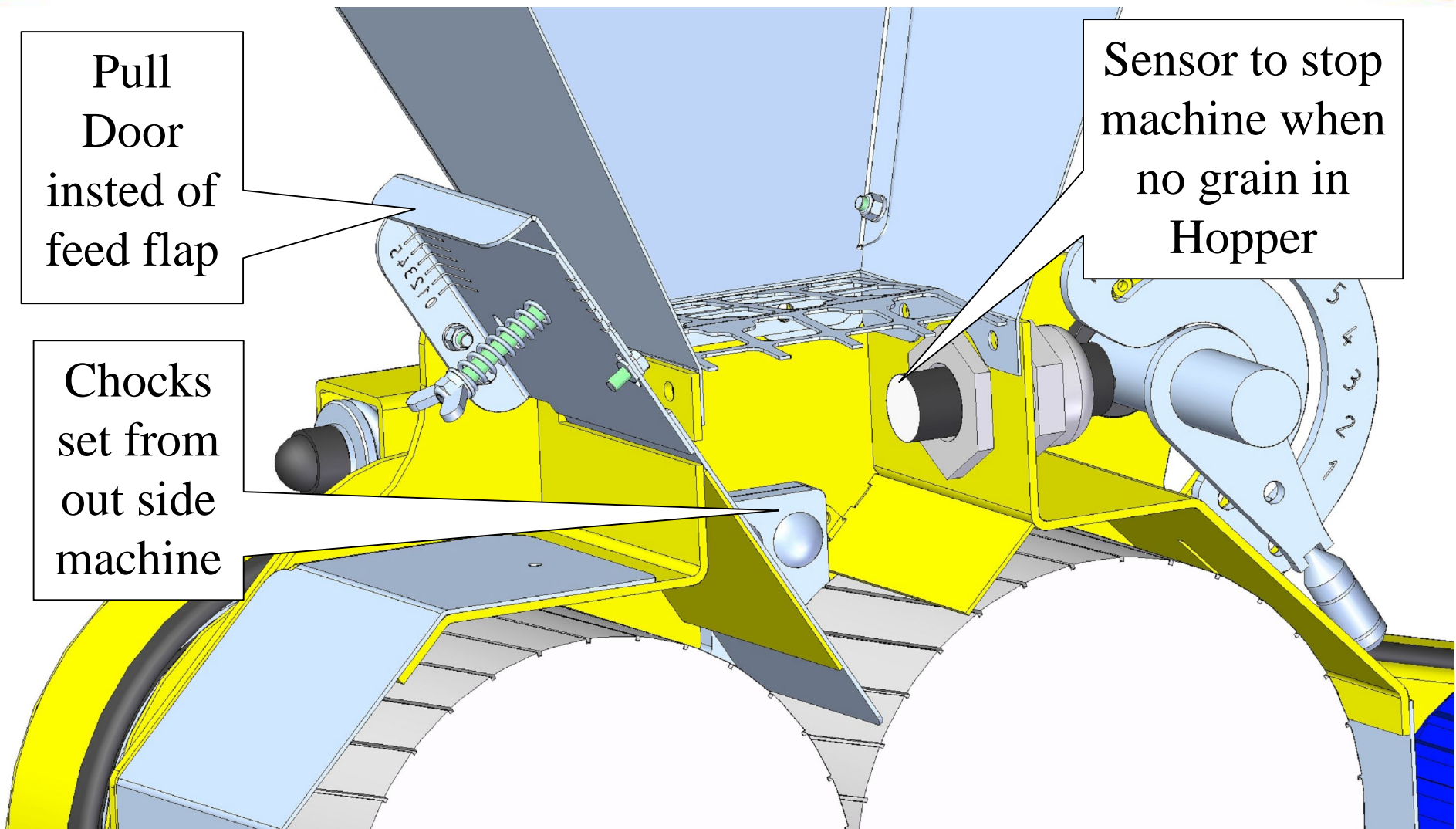
•Exploded View



Pull
Door
insted of
feed flap

Chocks
set from
out side
machine

Sensor to stop
machine when
no grain in
Hopper





End of presentation.
Thank you for you time!!